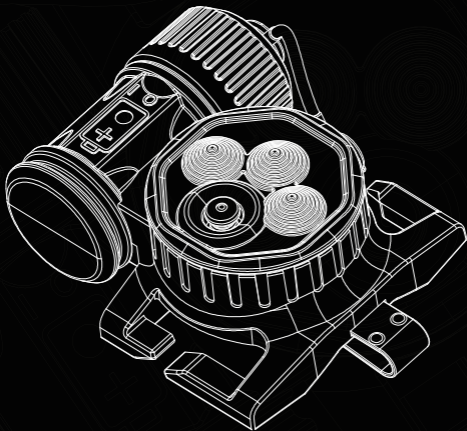


BK

OD



FMA[®]

FMA NEPTUNE 5

海王星 5

www.fma.hk / TB1482

PRODUCT DESCRIPTION

FMA Neptune 5 can be said to be a product that fills domestic gaps in related fields. As a multi-purpose beacon, it is almost a standard equipment for water-related units in NATO. Its main purpose is to provide visible or invisible light signal indication underwater or on shore, such as underwater distress or survival beacons in complex environments. Some demining units use this light as a device to eliminate danger or mark targets.

FMA NEPTUNE 5 FEATURES

1. Extremely high waterproof performance, up to 45 meters waterproof.
2. It is very easy to operate. There are only two operable parts on the entire lamp body. It can be easily operated even in the sea with heavy gloves.
3. Super long battery life. In actual testing, the battery life in flashing mode can reach at least 100 hours, and the battery life in steady-on mode can reach more than 7 hours. These are actual measurement results obtained in high-power mode. If it is in low-brightness mode, the battery life will be longer.

FMA Neptune has three lighting, two modes. IR invisible light, bright blue light, bright white light, flashing and steady mode. It meets the needs of users in most scenarios. For example, high-brightness blue light can be used in the sea, because the higher energy can be transmitted to farther places. In the shore environment or forest survival environment, high-brightness white light can be used as a mark to identify the location from a distance. The IR mode is a friend-or-foe identification light used by professional users in high altitude or low-light tactical environments. It can be said that this light basically meets the needs of most application scenarios.

One of the most practical features of FMA Neptune is its extremely excellent waterproof performance. Because it uses special polymer nylon material, it has reached the IP68 level in terms of resistance to seawater erosion and waterproof performance. It basically meets the requirements of safe use at sea and in complex environments, and has a variety of connection and wearing methods. It can be worn on the wrist, on a strap, or even on a backpack or device. It can also be connected to a Molle/PALS strip. As an extremely A practical product, the FMA Neptune 5 is excellent.

PARAMETER INFORMATION

■ INSTRUCTIONS:

Switch: battery compartment cover	Tighten to open, loosen to close
First gear	IR flashes
Second gear	IR is always on
Third gear	Blue light flashing
Fourth gear	Blue light always bright
Fifth gear	White light flashing
Sixth gear	White light always bright

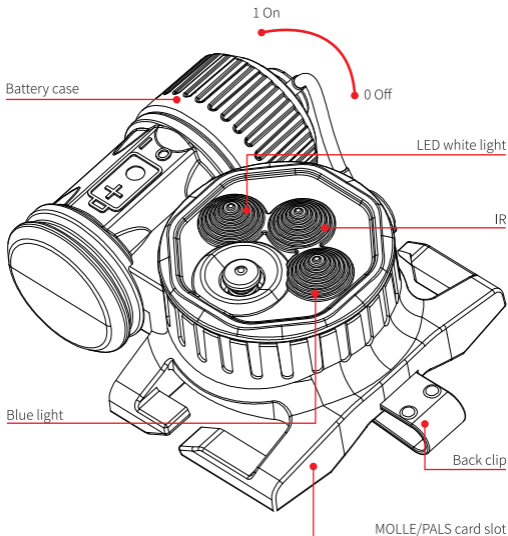
Press and hold the button to increase or decrease the power and brightness. The default power is 70% brightness.

Note: Rebooting will recall the state prior to shutdown. With each single press, functions will toggle in the aforementioned sequence.(The indicator light flashes, it blinks 8 times. When it stays continuously on, it remains lit for 8 seconds.)

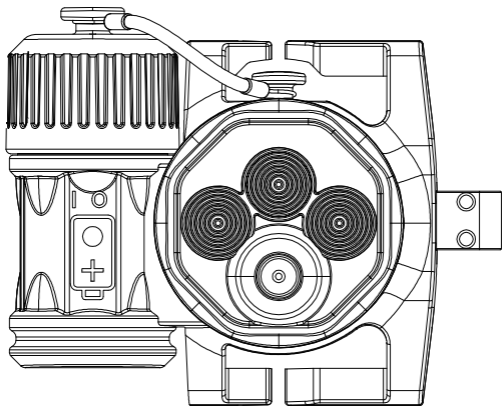
■ PRODUCT PARAMETER PAGE :

Size	75*59.6*27.5mm
Weight	95g (Batteries not included)
Battery	1*3v CR123A (Compatible with 3.7v)
Battery life	High power - 7 hours of constant light, 100 hours of flashing
Operating temperature	-20°C - 50°C
Waterproof performance	IP68
Material	Polymer nylon
IR lamp power	15mW (MAX)
LED (white, blue)	12lm

FEATURES AND CONTROLS



FEATURES



**45M
WATERPROOF**



**EASY TO
OPERATE**



**SUPER
BATTERY LIFE**



**SURVIVAL
EQUIPMENT**

Extremely high waterproof performance, up to 45 meters waterproof, very easy to operate. The entire lamp body has only two operable parts. It can be easily operated even with heavy gloves in the sea. Super long battery life, always on mode the battery life can reach more than 7 hours.

FEATURES

NEGATIVE POLE FACING OUT

Pay attention to the orientation of the battery and tighten the battery cover after placing the battery correctly.



WEARING METHOD

Can be worn on your wrist, on a strap, or even on a backpack or device





www.fma.hk